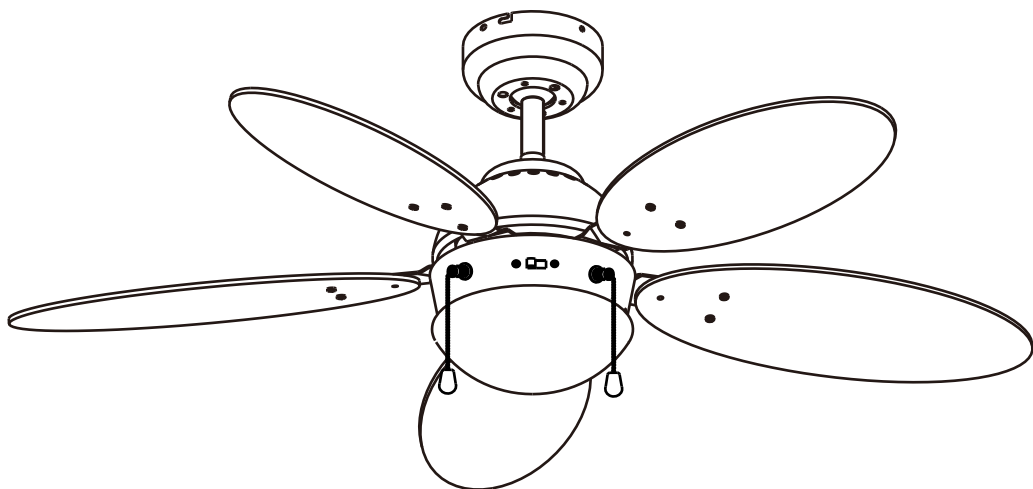


# GLOBO

## FAN

# 03180

[www.globo-lighting.com](http://www.globo-lighting.com)



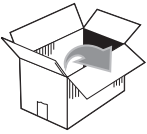
**GLOBO Handels GmbH**

St. Peter 38

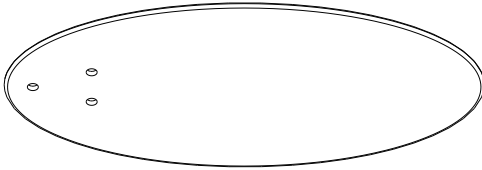
A-9184 St.Jakob/Rosental

NO:1000

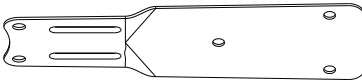




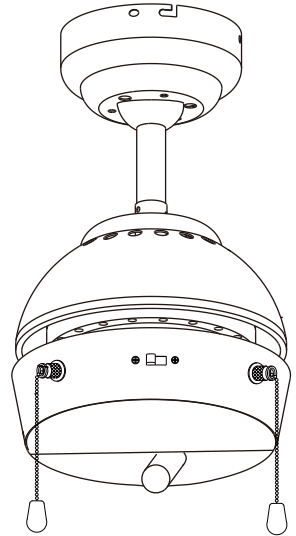
**C** x5



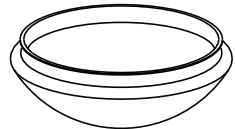
**D** x5



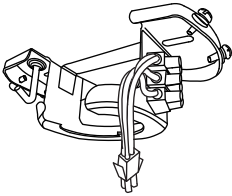
**B**



**E** x1



**A**



**N**

**3 GM** x3

**M**

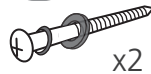
**x1**

**G**



x2

**H**

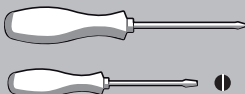
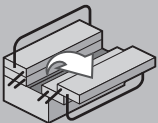


x2

**J**



x15

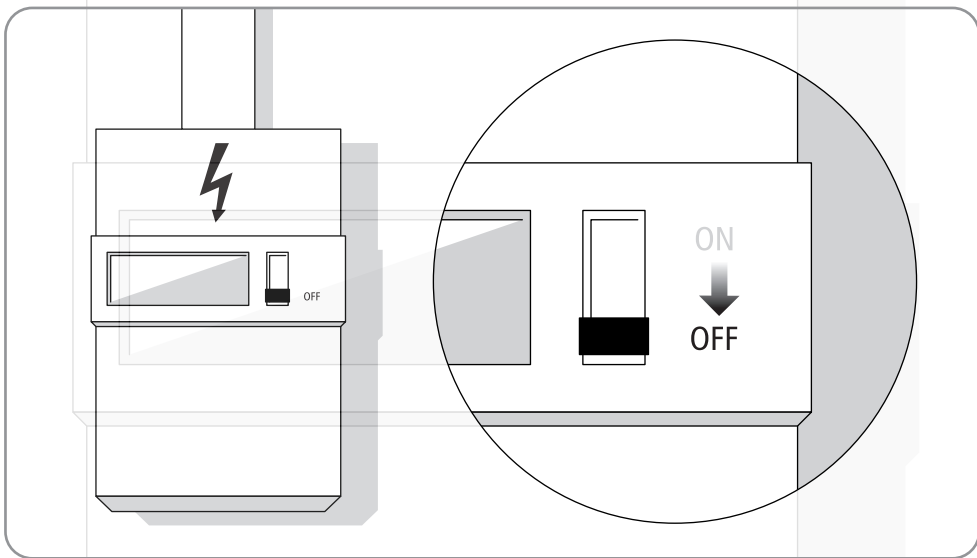
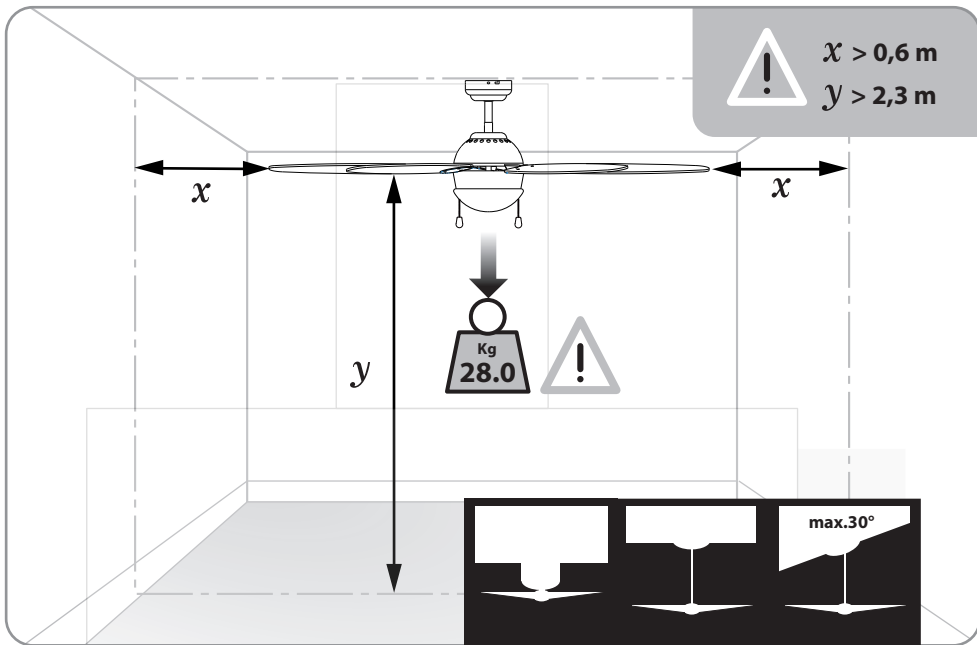


+

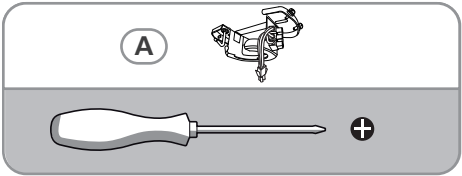
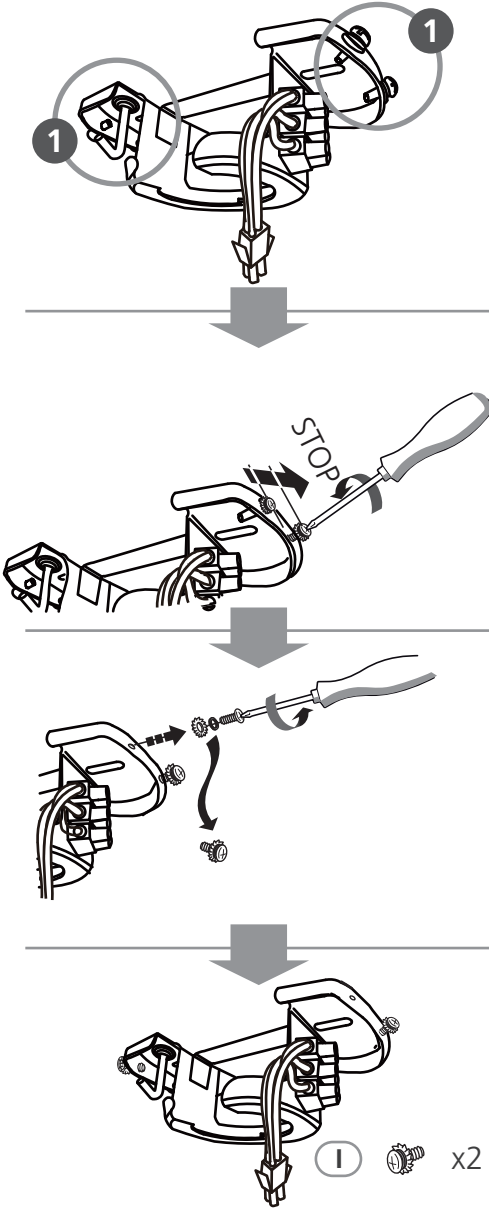


E 14

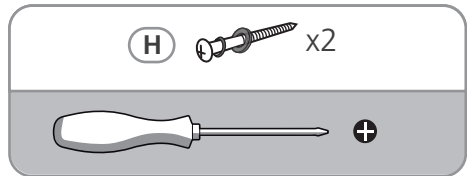
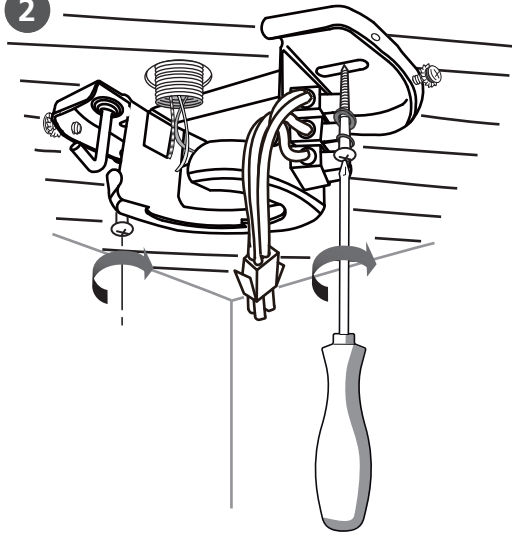




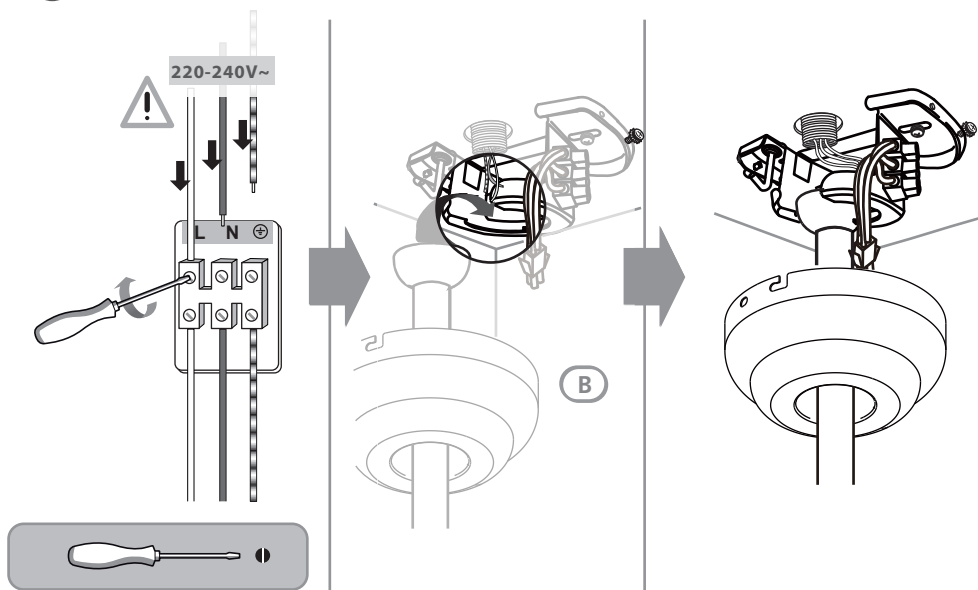
1



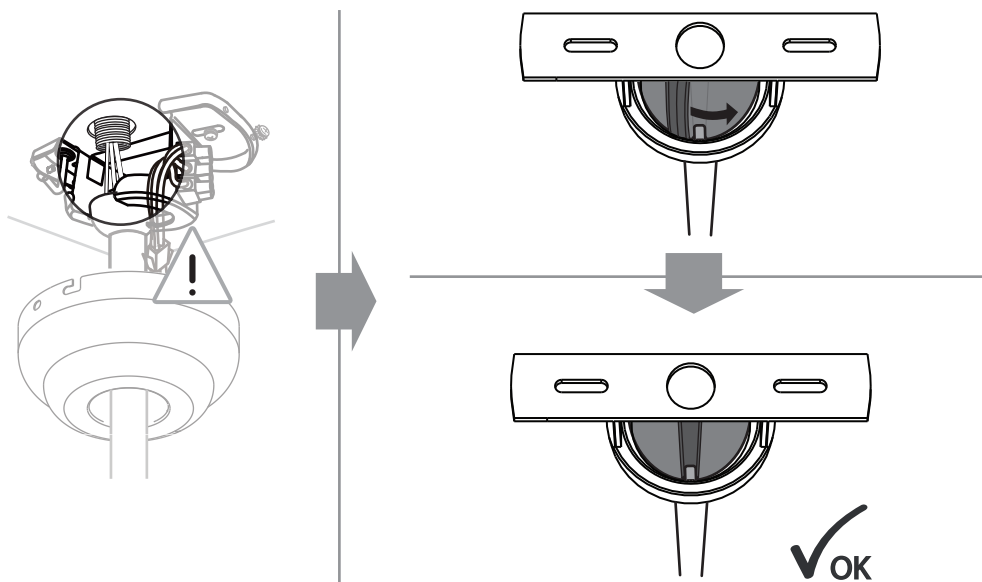
2



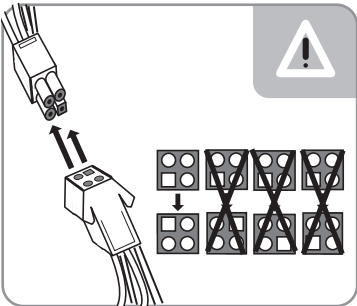
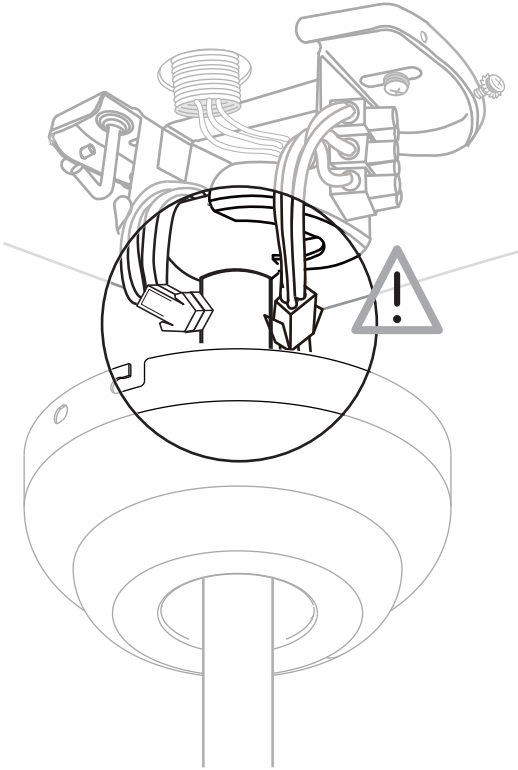
3



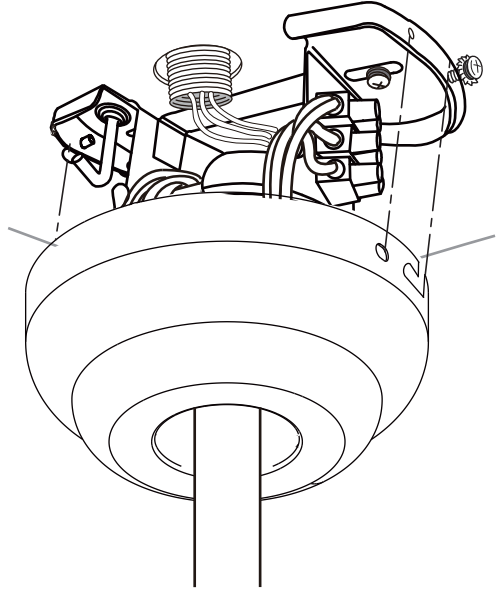
4



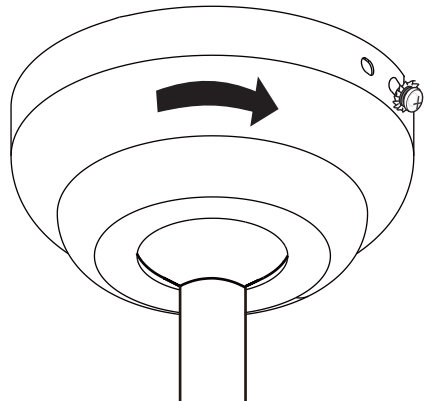
5

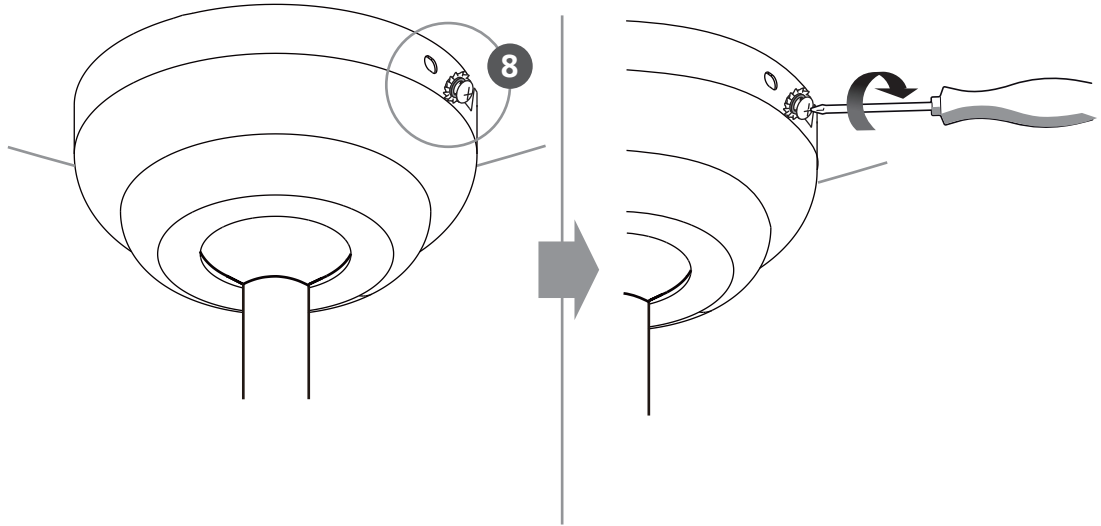


6

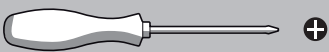
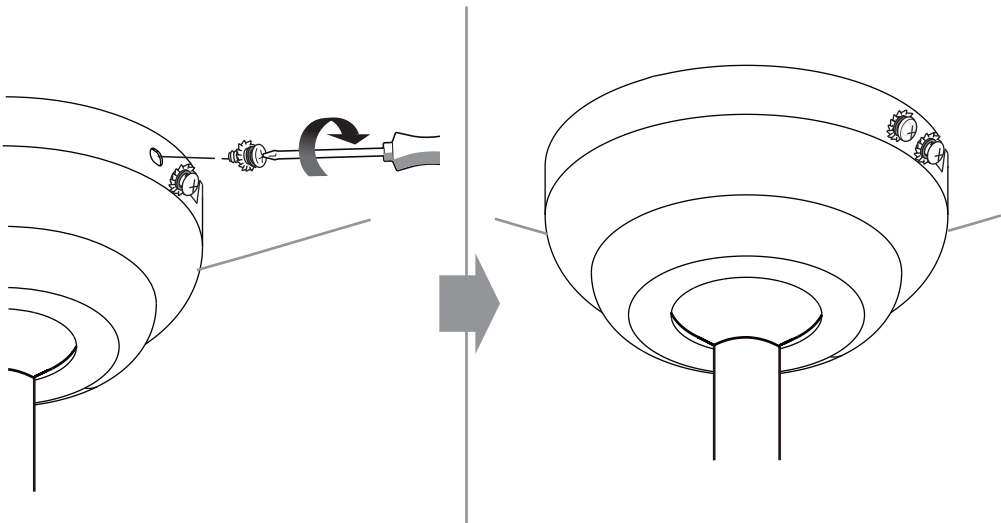


7

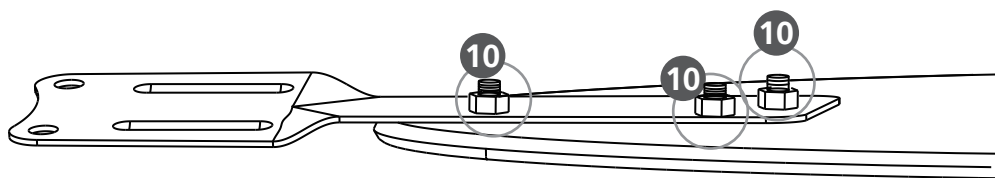
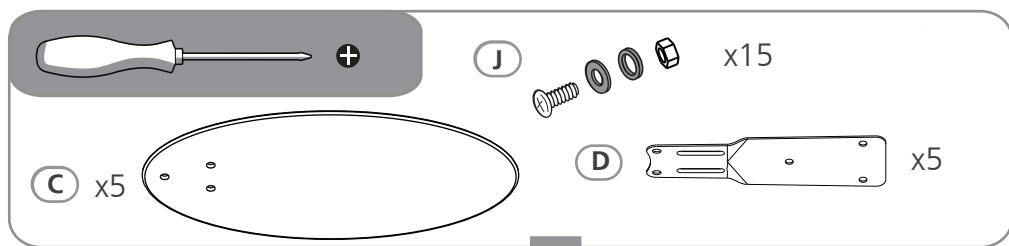
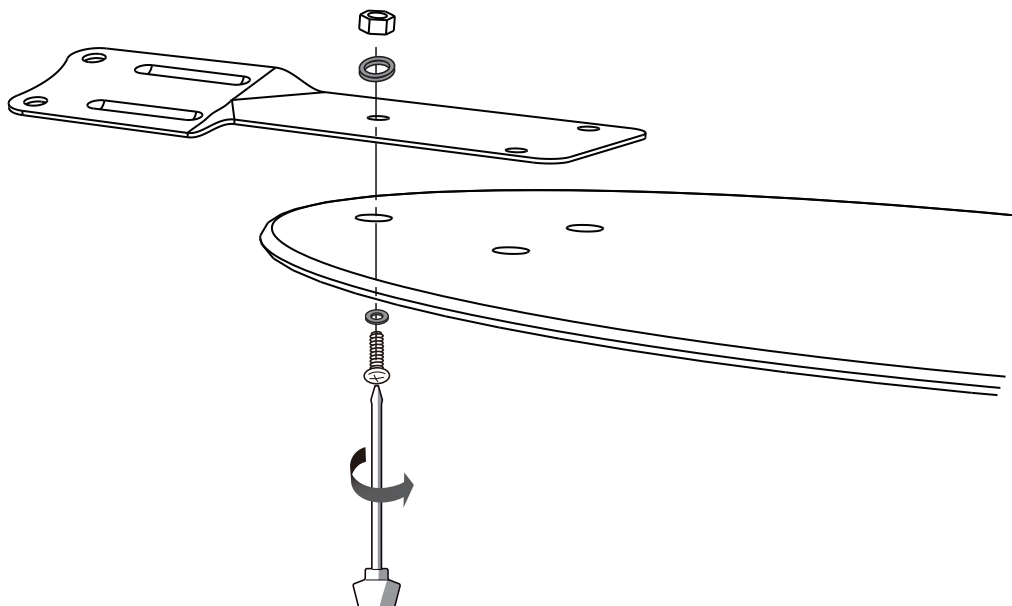




9

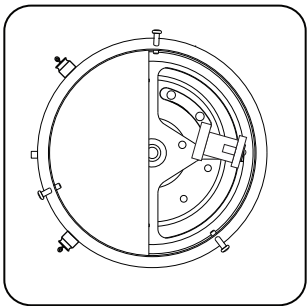
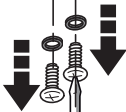
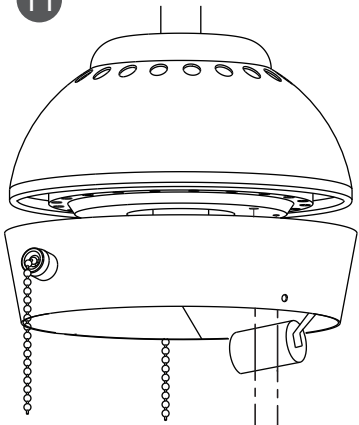


10



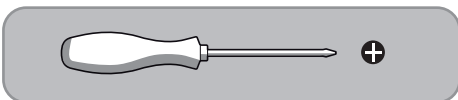
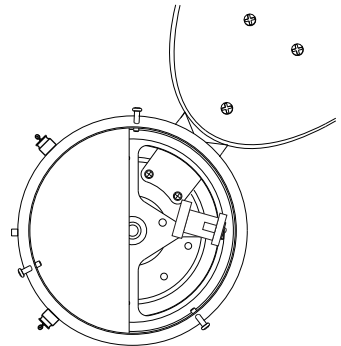
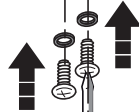
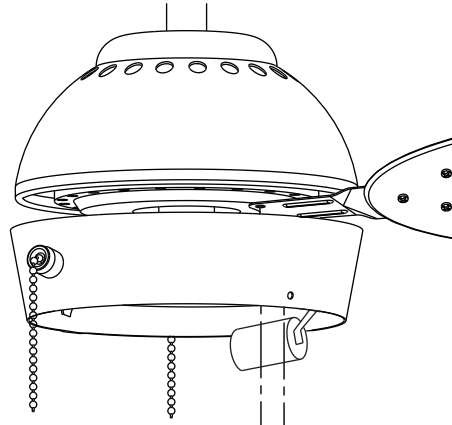


11

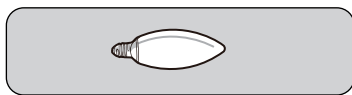
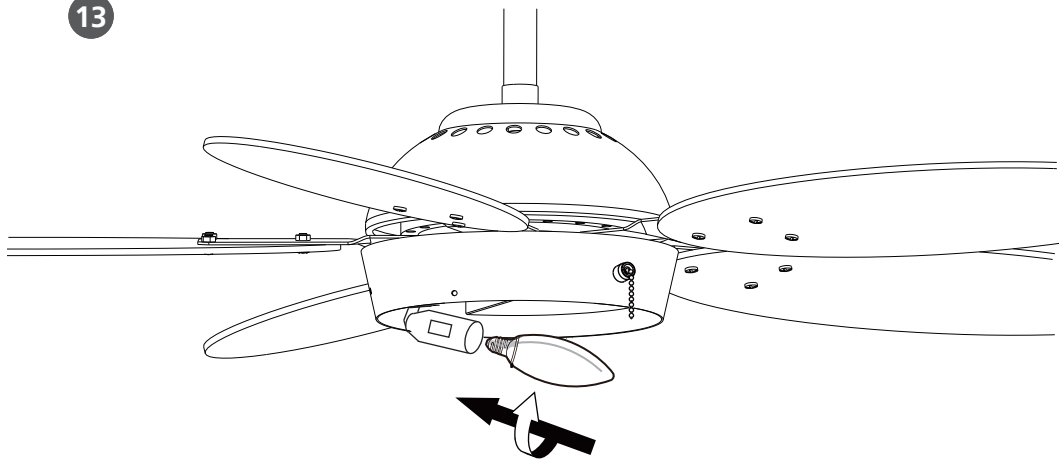


(K) x 10

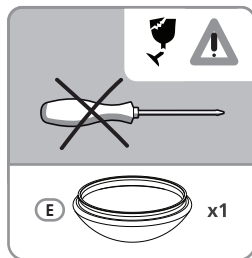
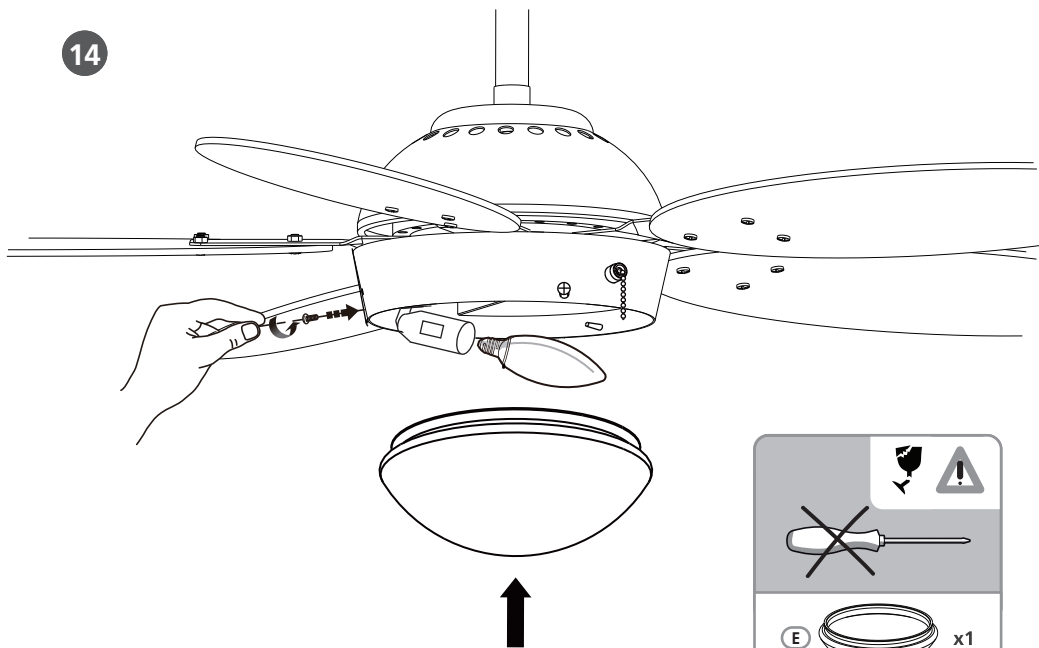
12

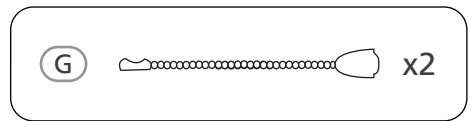
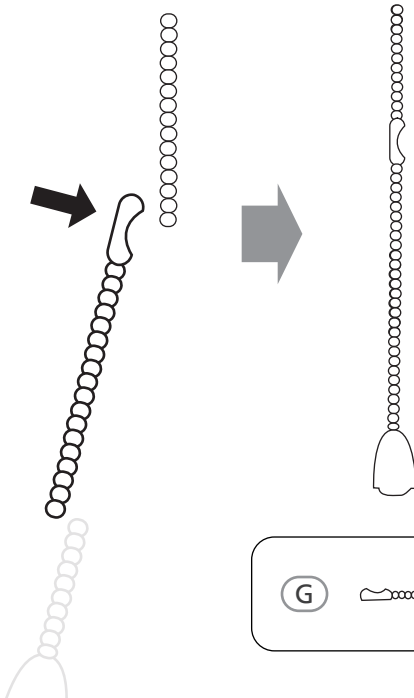
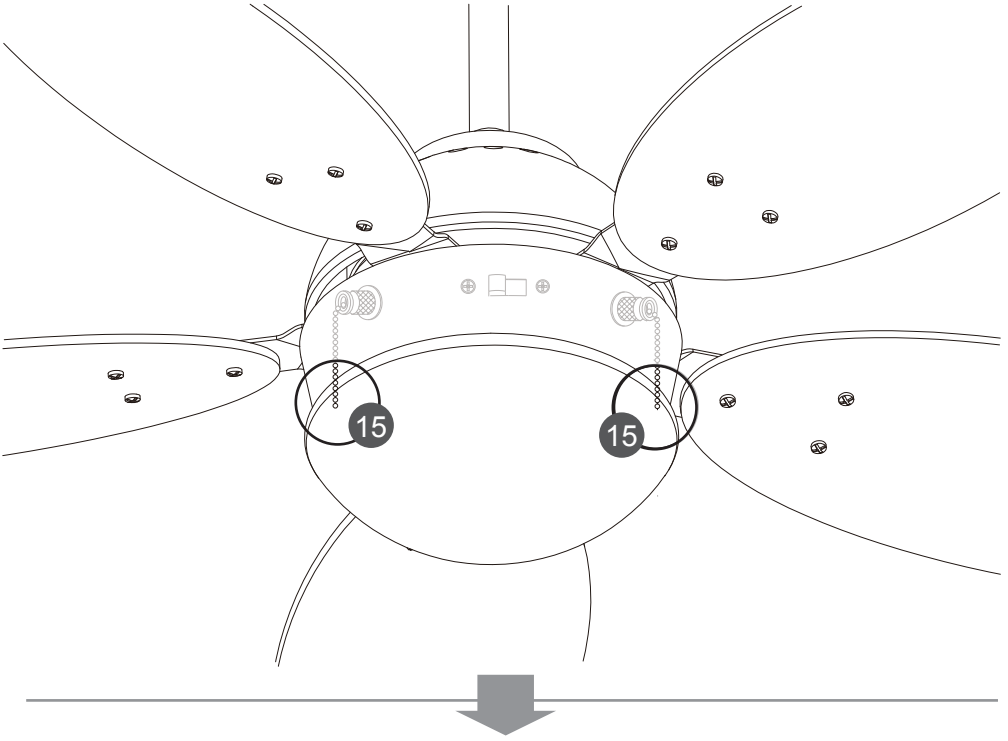


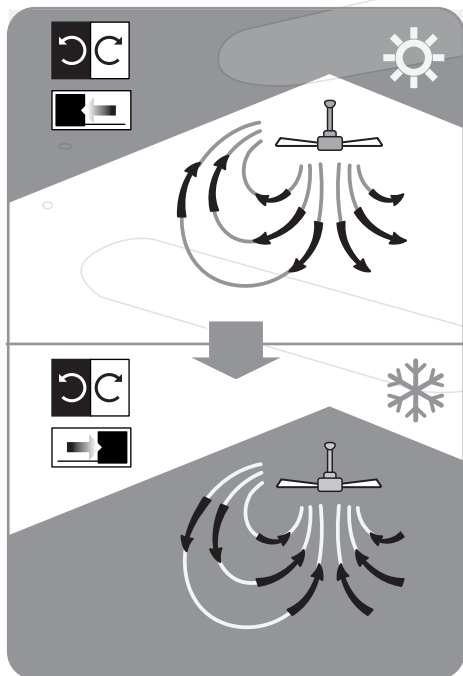
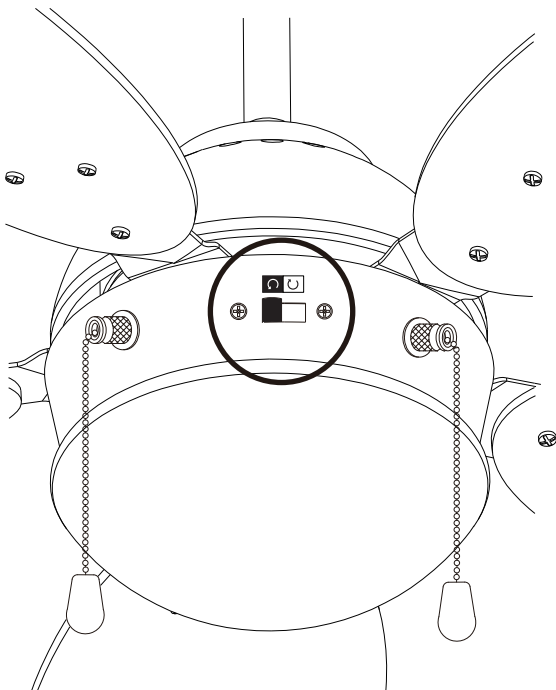
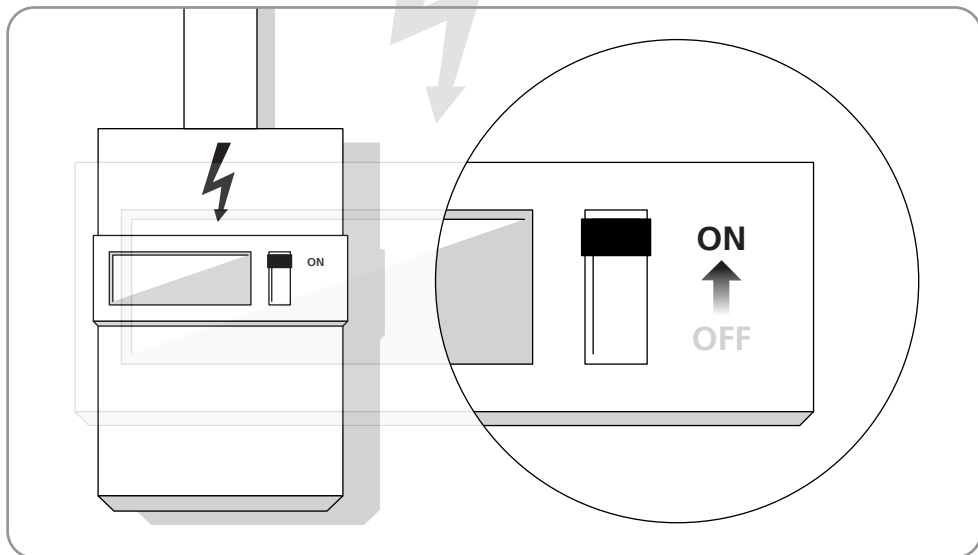
13

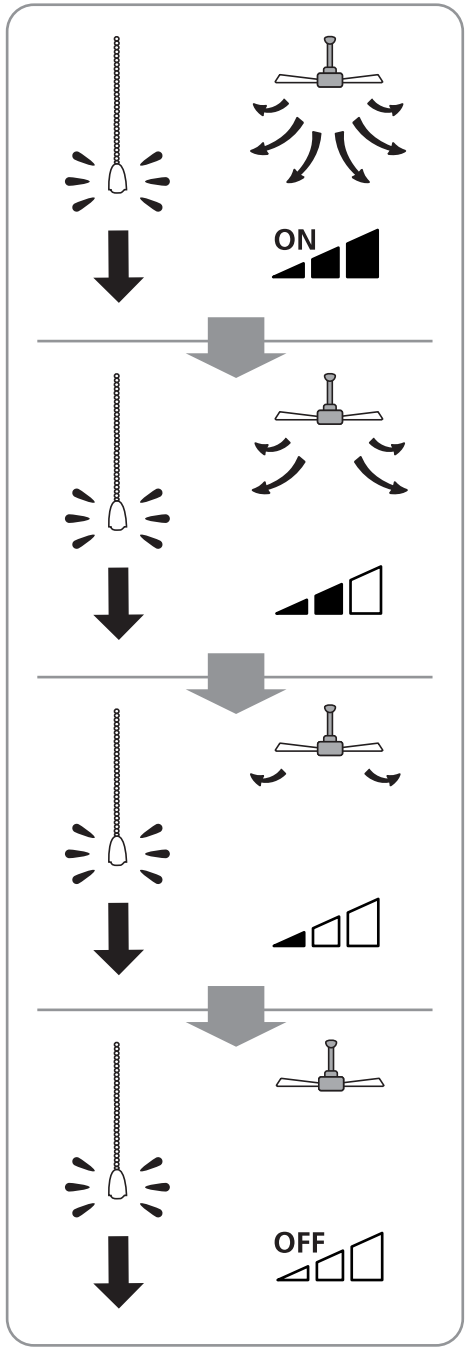
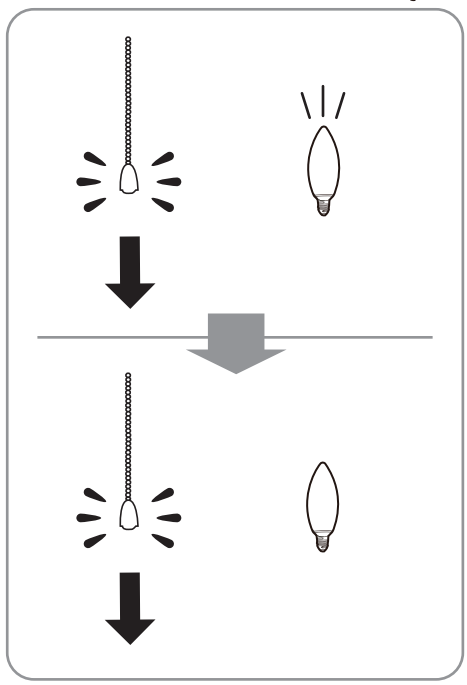
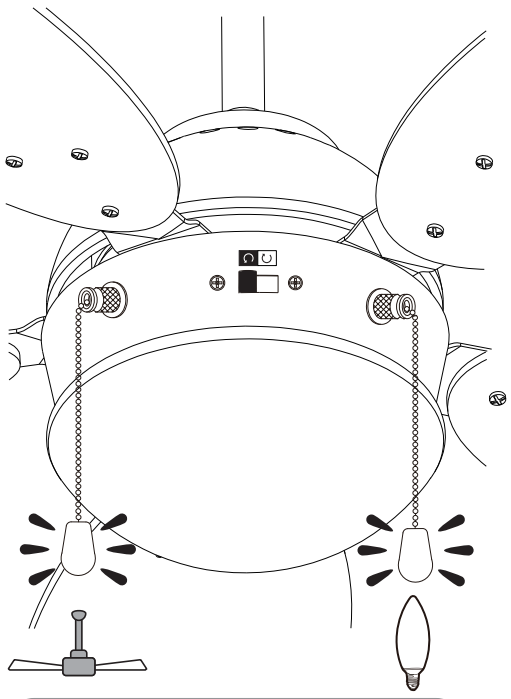


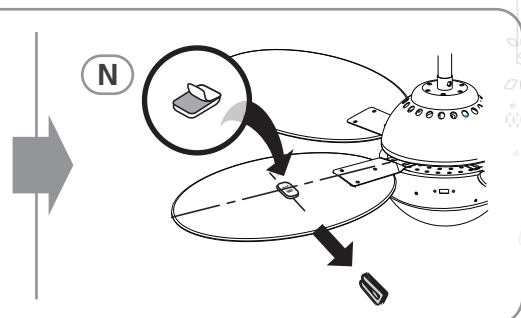
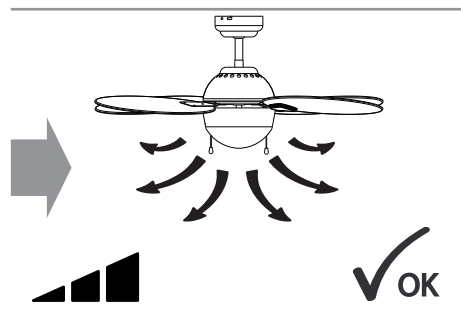
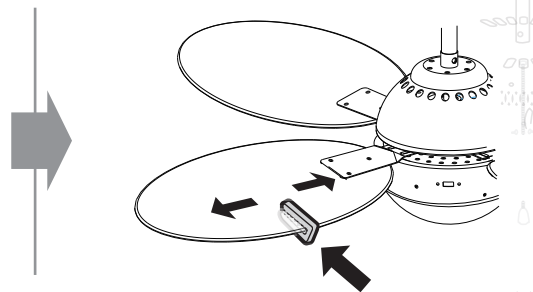
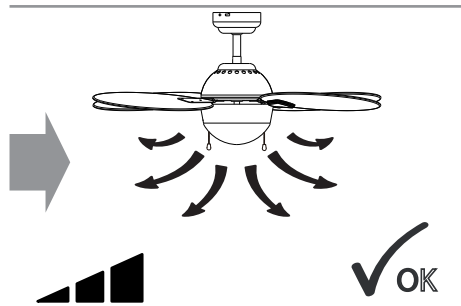
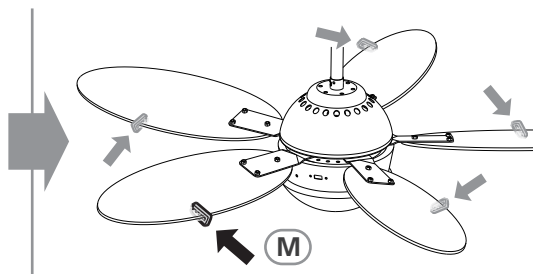
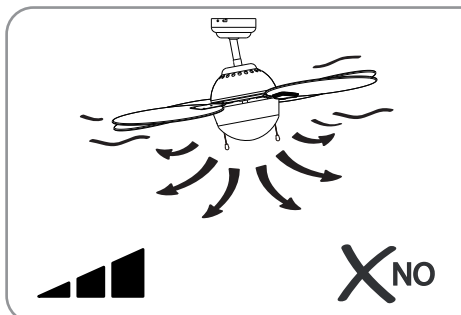
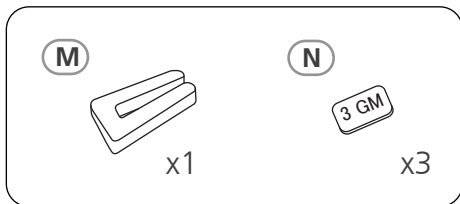
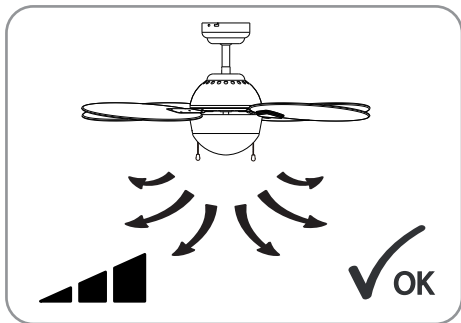
14









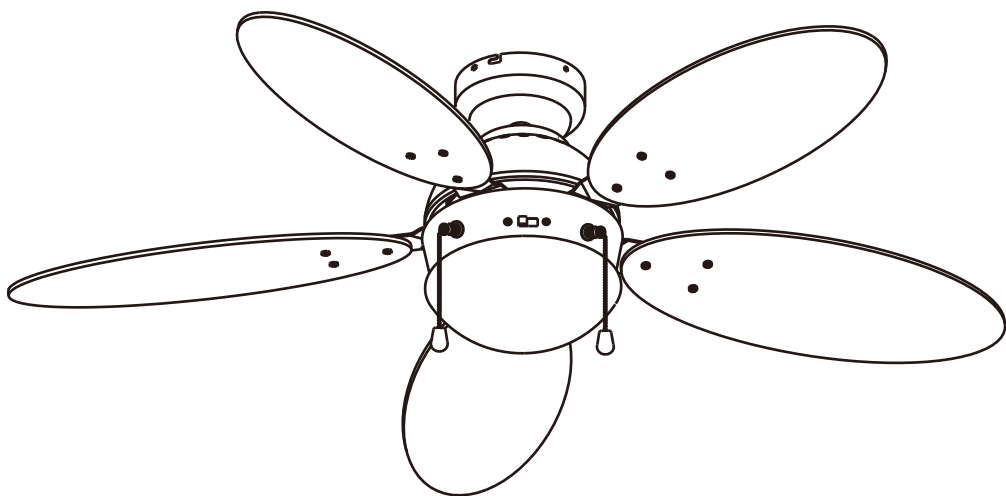


# GLOBO

FAN

# 03180

[www.globo-lighting.com](http://www.globo-lighting.com)

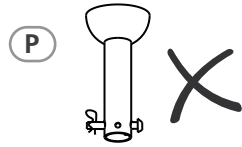
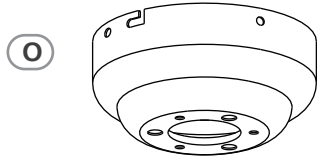
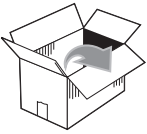


**GLOBO Handels GmbH**

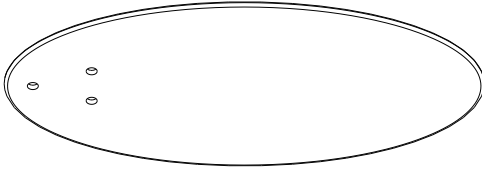
St. Peter 38

A-9184 St.Jakob/Rosental

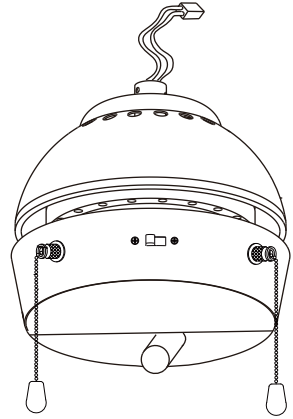




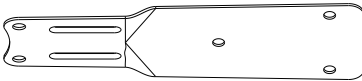
C x5



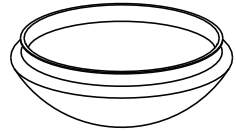
B



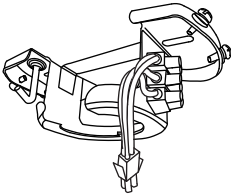
D x5



E



A



N

3 GM x3

M

x1

G

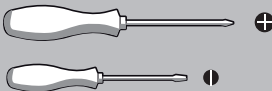
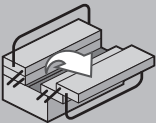
x2

H

x2

J

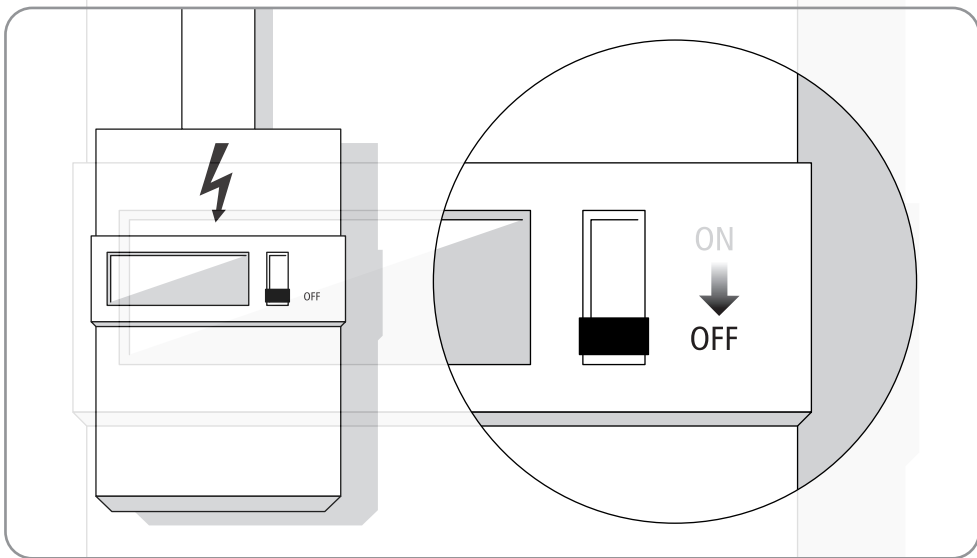
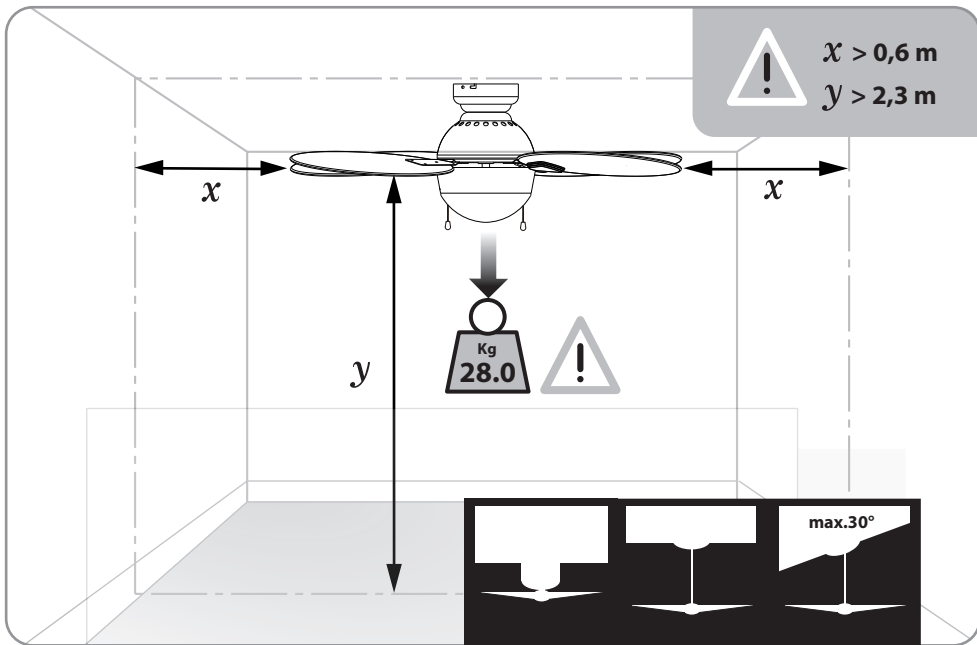
x15



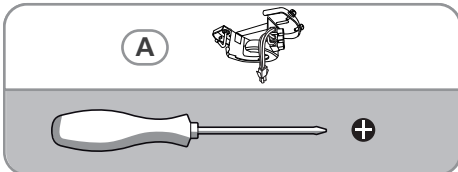
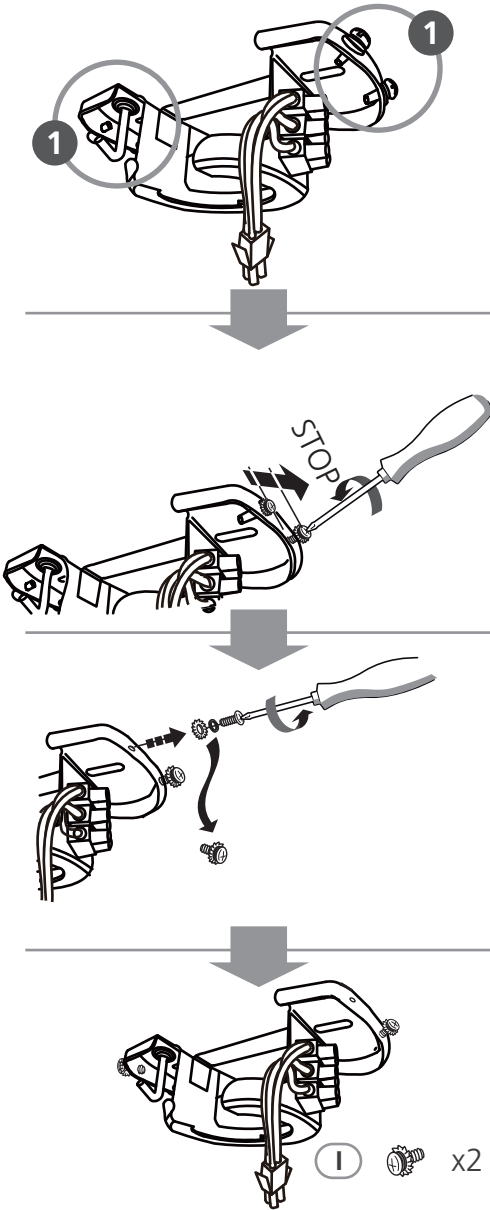
E 14



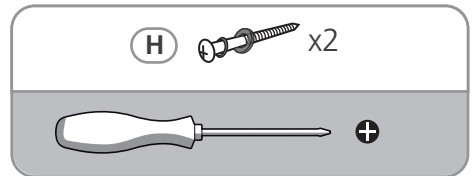
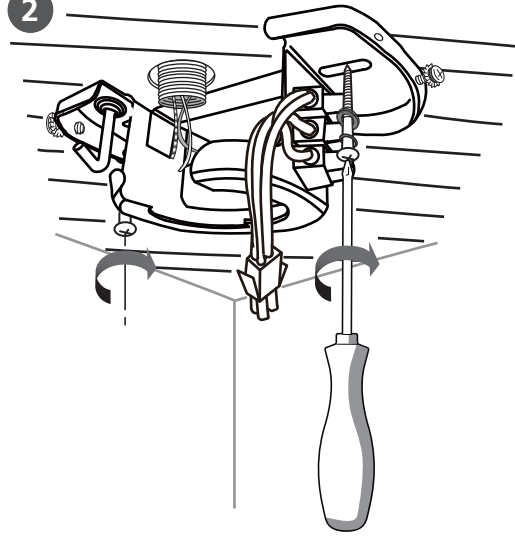




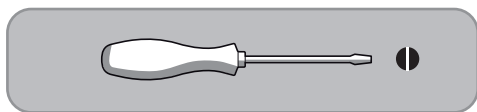
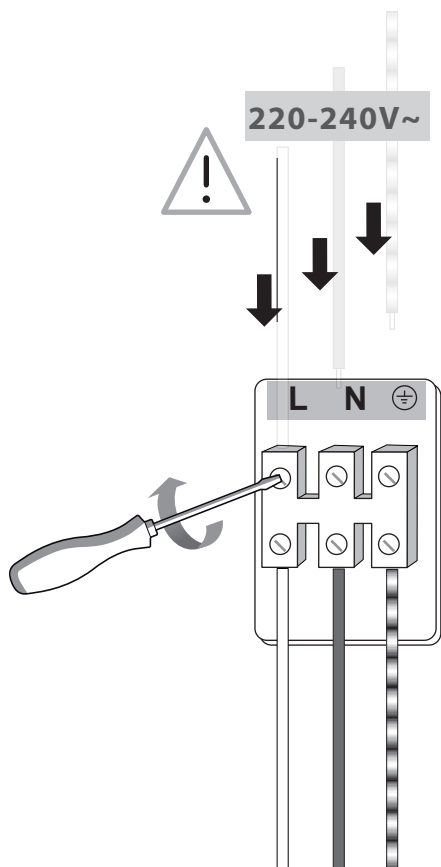
1



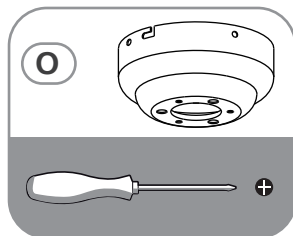
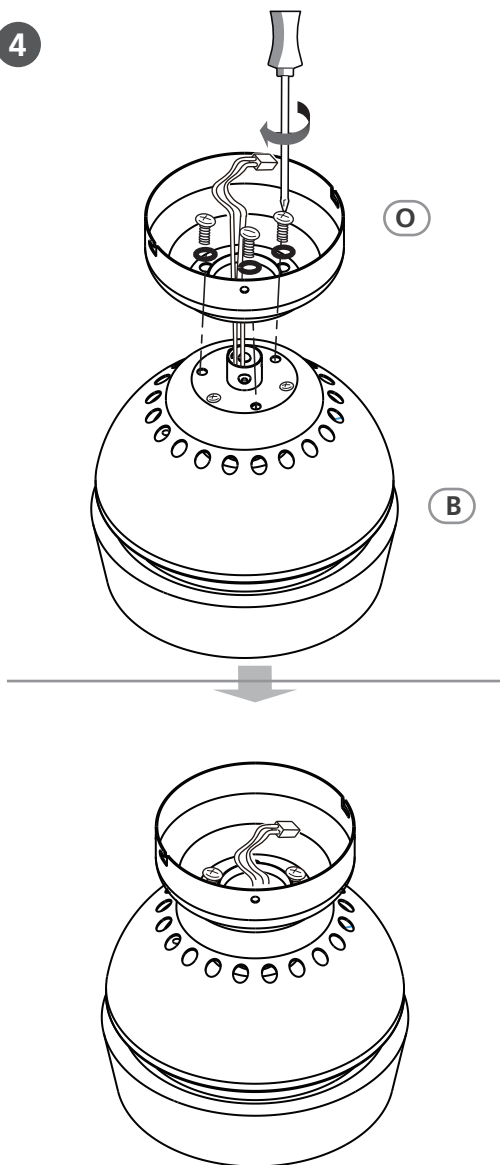
2



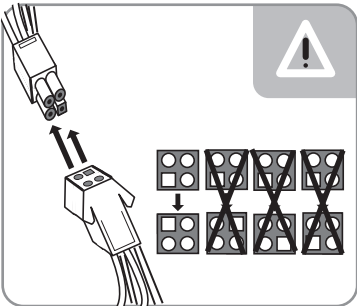
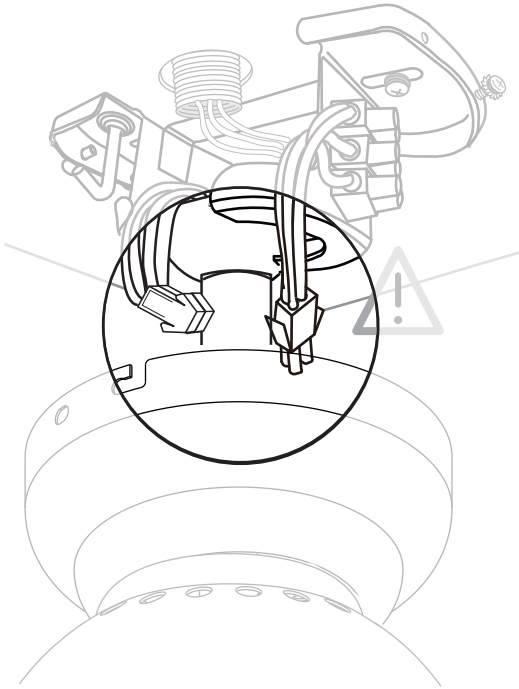
3



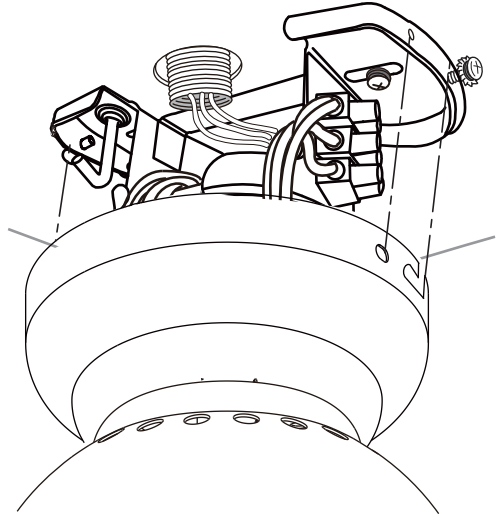
4



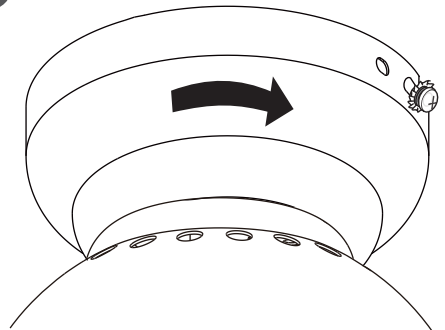
5

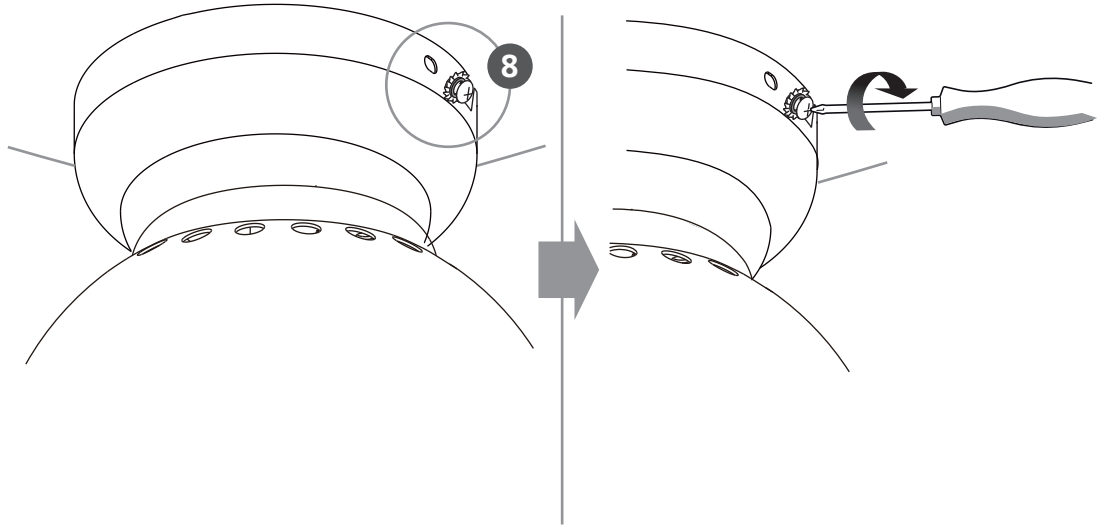


6

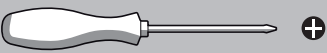
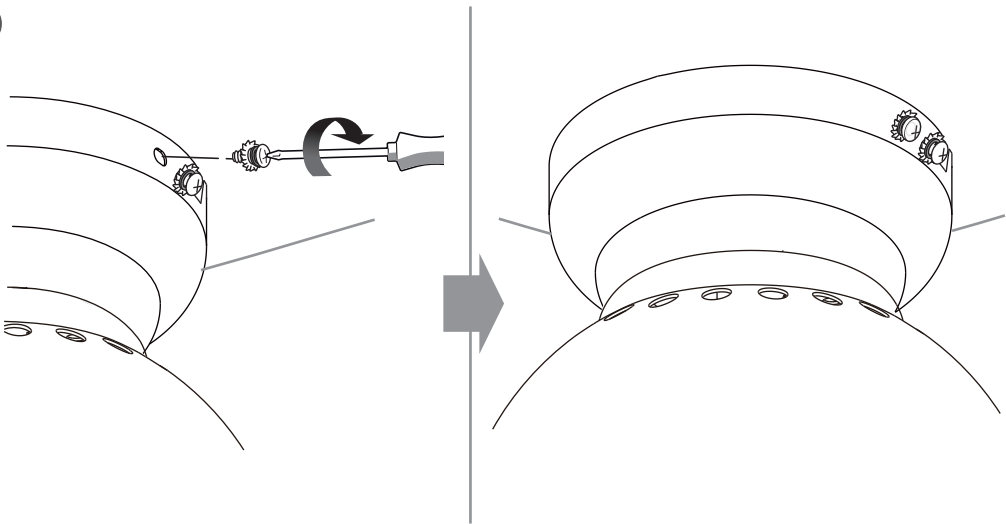


7

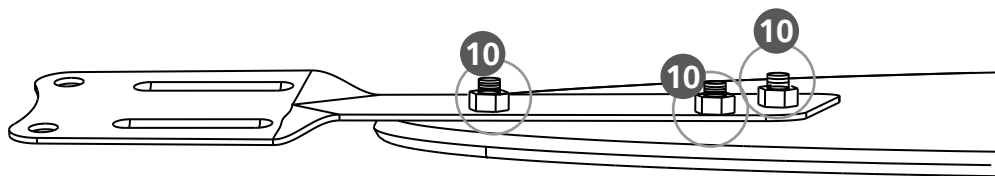
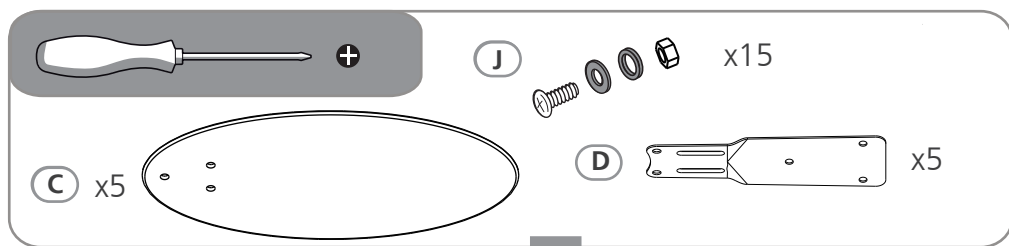
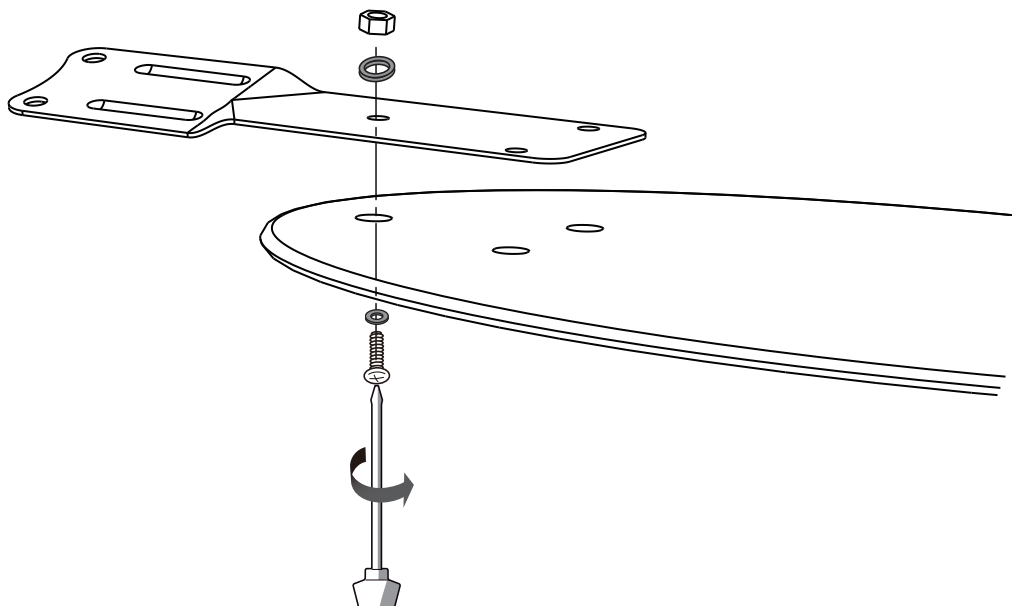




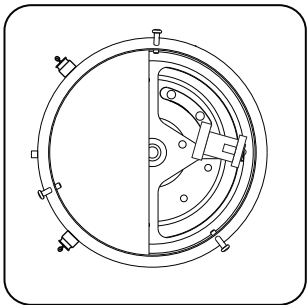
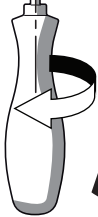
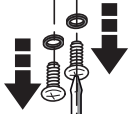
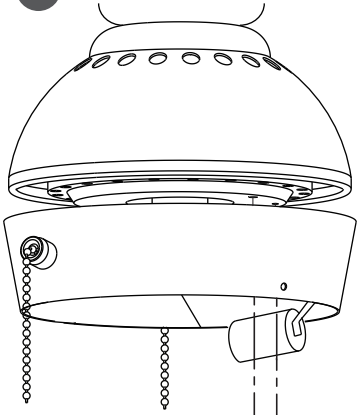
9



10

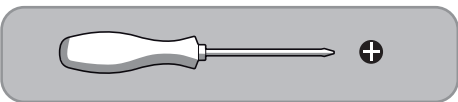
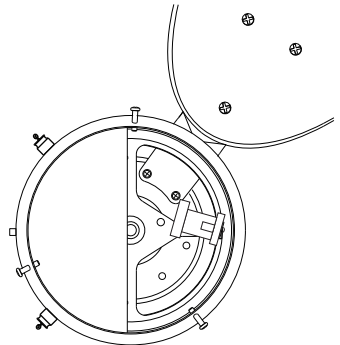
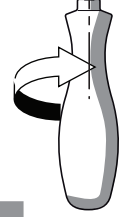
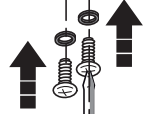
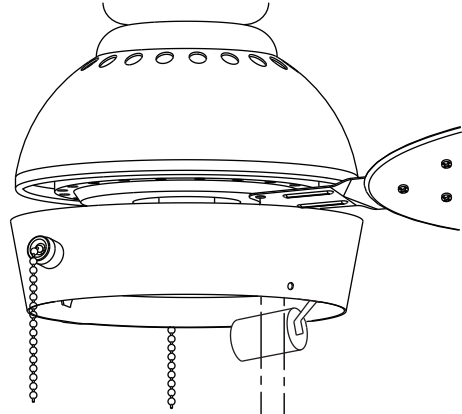


11

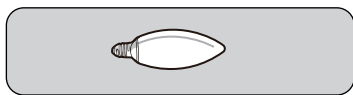
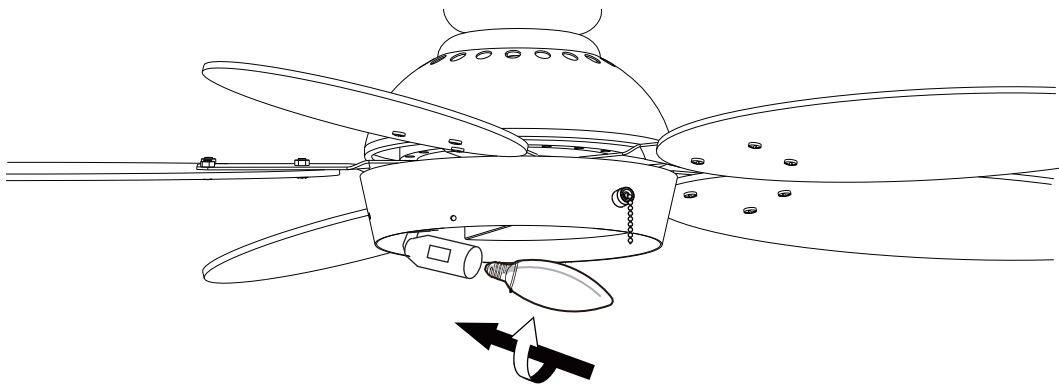


(K) x 10

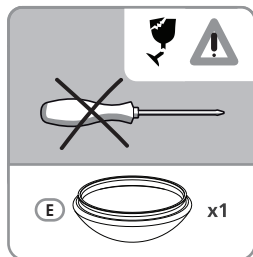
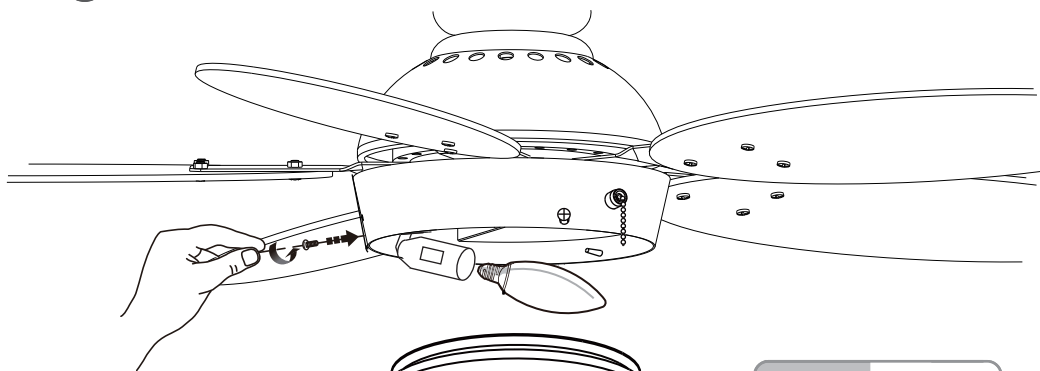
12



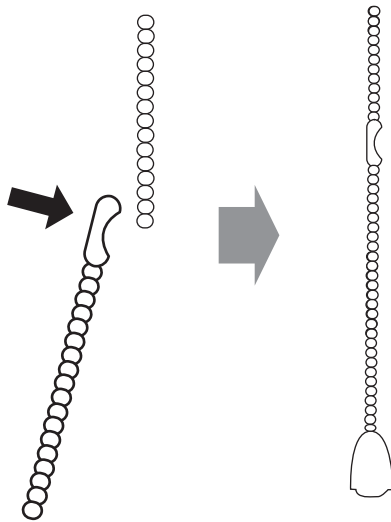
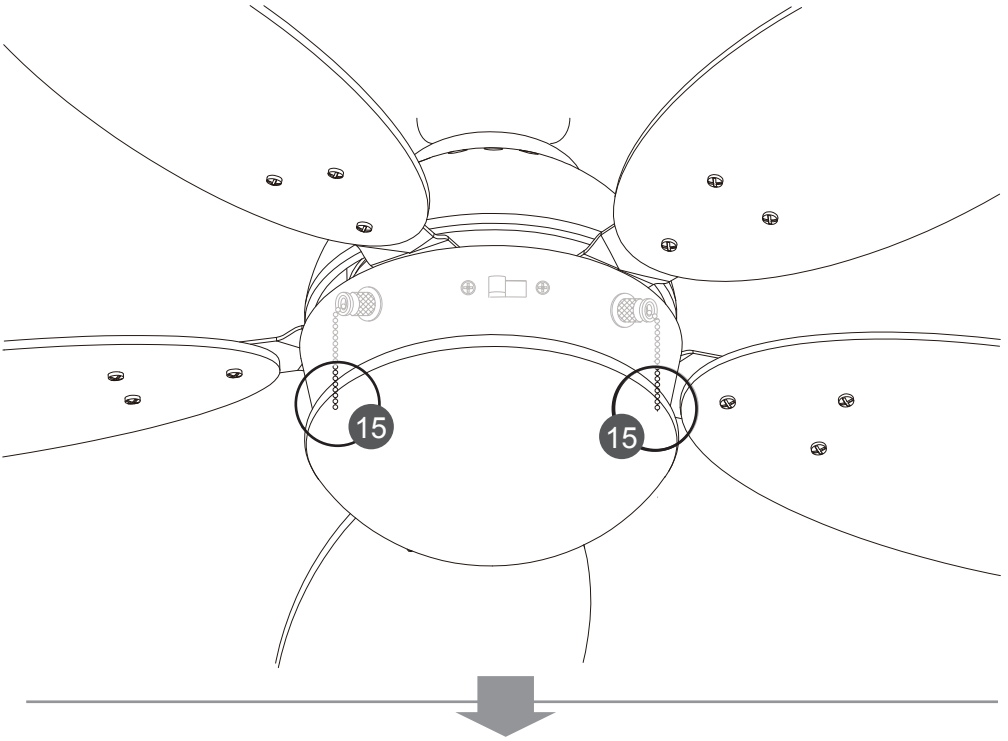
13



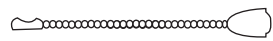
14







G



x2

